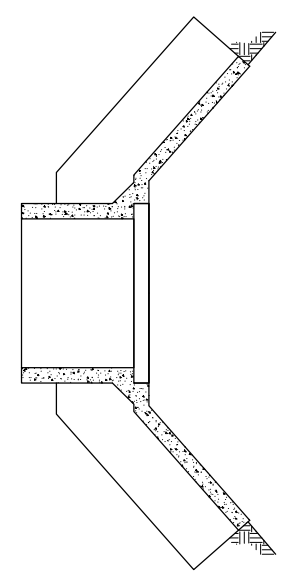
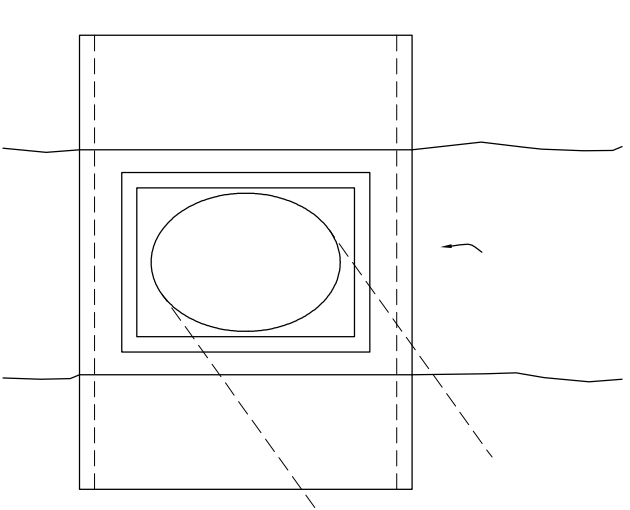


- NOTES:**
1. LOCATION OF THE INTAKES TO BE FINALISED FOLLOWING DETAILED SURVEY AND GEOTECHNICAL INVESTIGATIONS.
 2. ROUTES FOR ACCESS ROADS TO BE FINALISED FOLLOWING DETAILED SURVEY AND GEOTECHNICAL INVESTIGATIONS AND AGREEMENT WITH THE LAND OWNERS
 3. THE LOCATIONS OF THE BOUNDARIES OF PROPERTIES, MINING PERMITS AND MINING LICENSES ARE PROVICATIVE AND THE LOCATION OF PROJECT WORKS WILL BE FINALISED FOLLOWING DETAILED SURVEY.

LEGEND:

NGAKAWAU ECOLOGICAL RESERVE BOUNDARY	
CML BOUNDARY	
ACML BOUNDARY	
WAMANGARUA MINING PERMIT 41515 BOUNDARY	
MILLETON RESERVE BOUNDARY	
DOC TRIANGLE BOUNDARY	
FAULTS	
TUNNELS	
SEDIMENT TRAPS	
CULVERT	
CREEK SUMPS	
CREEK DIVERSIONS	
POWER STATIONS	
PERMANENT ACCESS ROAD	
TEMPORARY CONSTRUCTION ACCESS	
DAM WITH ACCESS ROAD	
POWER LINE	
TRIANGULATION POINTS	
HISTORICAL POINTS	



TYPICAL SLUMP DETAILS
1:50 at A1
1:100 at A3

Original Size	A1	Status	FINAL CONCEPT		
FOR FINAL CONCEPT					
B	MW	GK	01.09.08		
DRAFT					
A	MW	GK	04.08.08		
Rev	Designed	Drawn	Checked	Approved	Date
Scales					
AS SHOWN					
Tab C-001					

URS

URS New Zealand Limited
Level 5, Landsborough House, 287 Durham Street
Christchurch, New Zealand
Phone: 3-374 8500 Fax: 3-377 0655

DEVELOPMENTS LIMITED
hydro

Project
STOCKTON PLATEAU HYDRO PROJECT

Title
SCHEME PLANS DARCY STREAM DIVERSION

Drawing Number **C-001** Revision **B**